

The QUICK LIFT L520E is a lifting tool designed for the repair of passenger vehicles. It allows vehicles to be lifted safely. The maximum load of the QUICK LIFT is 2500 Kg.

SAFE  
EN 1493

### LIGHT, COMPACT & MOBILE

- With a weight of 42 kg the QUICK LIFT is simple to handle and makes it very easy to set up.
- It has a small footprint and is easy to move thanks to its wheels.
- Allows for quick tire or brake service and unobstructed access to the chassis.
- It folds down to only 88 mm to free up as much space as possible.

### CAPACITY & COMPATIBILITY

- The QUICK LIFT can lift up to 2.5 tons.
- It is compatible with most passenger and commercial vehicles.

### OPTIMIZED HYDRAULIC SYSTEMS

- The hydraulic power pack is portable and silent (220 V ~1). Equipped with a valve with balancer for synchronized lifting.
- Push-button remote control with 4 m cord for easy handling.
- Sealed connections prevent fluids from spilling onto the floor.

### SAFE & RUGGED

- Dual-position automatic locks engage automatically when lifting.
- The QUICKLIFT is manufactured with a welded structure in very resistant steel.



#### Supplied with:

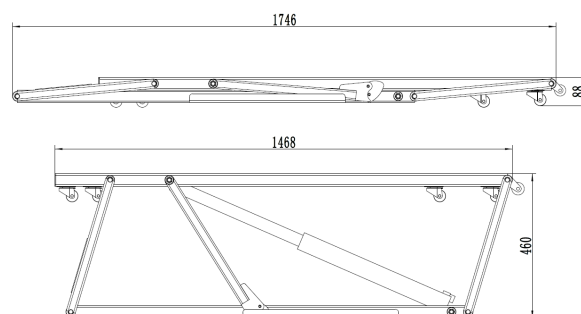
- 2 hydraulic ramps
- hydraulic assembly
- 8 skates



**SUV option**  
ref. 065017

Hydraulic oil - 5 l  
ref. 062160

#### Dimensions:



2,5 T



30 - 45 s.



220 V in



0,75 kW



< 70 dA



x2 : 37 x 10,5 x 181 cm  
+  
41 x 43 x 53 cm



125 kg