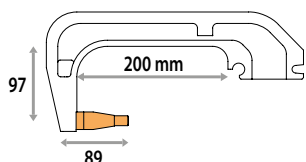
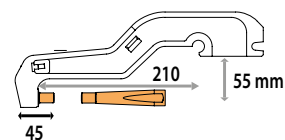


GYS offers a large range of aluminium C-arm, high rigidity C-arms compatible with the following machines: GYSPOT BP.LC-s7, BP.LCX-s7 and GYSPOT PTI-s7 Evolution. These arms are liquid cooled and include electrodes and welding caps. These arms are water cooled up to the electrodes and welding caps. A large range of arms are available in order to get access to anywhere on the vehicle. Several references are available in a painted version ensuring electric insulation of the arm.



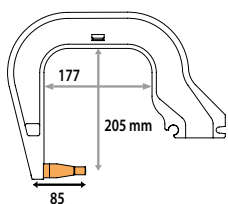
C1 - 8bar/550 daN

ref. 019140
ref. 021402 insulated



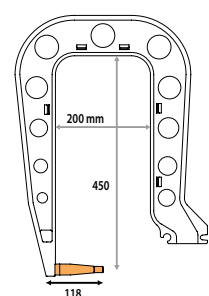
C2 - 8bar/550 daN

ref. 019133



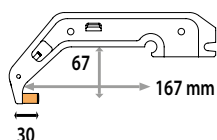
C3 - 8bar/550 daN

ref. 019157
ref. 021419 insulated



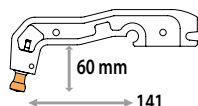
C4 - 8bar/550 daN

ref. 019164
ref. 021426 insulated



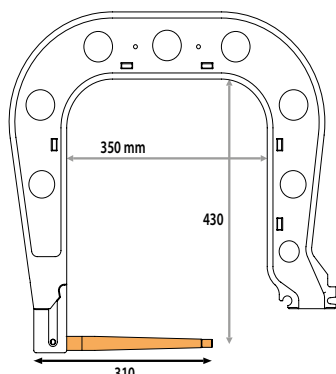
C5 - 8bar/550 daN

ref. 019294



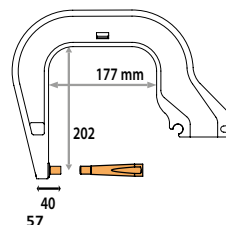
C6 - 8bar/300 daN

ref. 019775



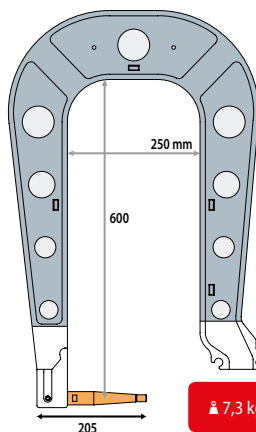
C7 - 8bar/550 daN

ref. 020009
ref. 021433 insulated



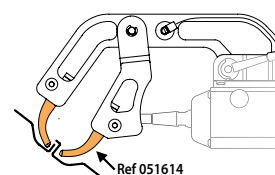
C8 - 8bar/550 daN

ref. 020016
ref. 021440 insulated



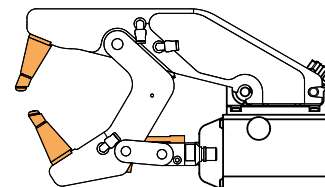
C9 - 8bar/550 daN

ref. 020078 insulated



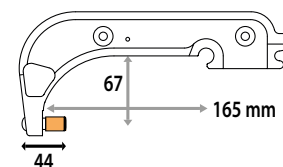
C10 - 4bar/150 daN

ref. 051638



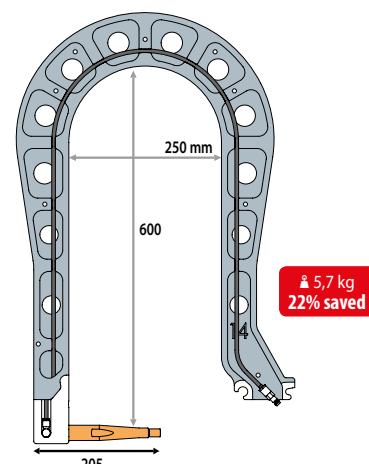
C11 - 8bar/550 daN

ref. 053649



C12 - 8bar/550 daN

ref. 022997 insulated



C14 - 8bar/400 daN

ref. 023543

Accessories and consumables



Contact grease
ref. 050440



Caps spanner
ref. 050846



**Box of 40
Caps Type A**
ref. 048935



**Caps Type A
ø13mm**
ref. 049987



**Caps for C11 arm
ø13mm**
ref. 049994



**Electrode
for C6 arm**
ref. 050617